

CIET ENERGY CAREER PATHS

Step 1: Choose your career path
 Step 2: Learn about its connection to energy
 Step 3: Find workshops to boost your career

ENERGY MANAGEMENT

Professionals in Energy Management are intimately involved in the planning and monitoring of energy use at an organizational or facility level. Often technical leaders, they are the drivers of EE projects, the authority on reporting and regulations, planners of retrofit projects, and managers of renewable energy projects.



ENERGY CONSULTING & MODELLING

Individuals involved in Energy Consulting and Modelling are generally responsible for helping clients conserve energy and reduce operating costs utilizing a variety of technical and software tools. Consultants are often involved in forecasting and predicting energy use, and recommending EE and retrofit projects that can bring about savings. Additional benefits to clients include setting and meeting energy management GHG reduction targets.



BUILDING OPERATIONS & MAINTENANCE

Those who work in this sector are responsible for the day-to-day operations and maintenance of buildings and their services, often including tenant needs/ comforts. They often have a direct link to energy controls and settings for buildings, as well as a mandate to run the building as efficiently and cost effectively as possible, both inside a building's walls and in consideration of the full building envelope.



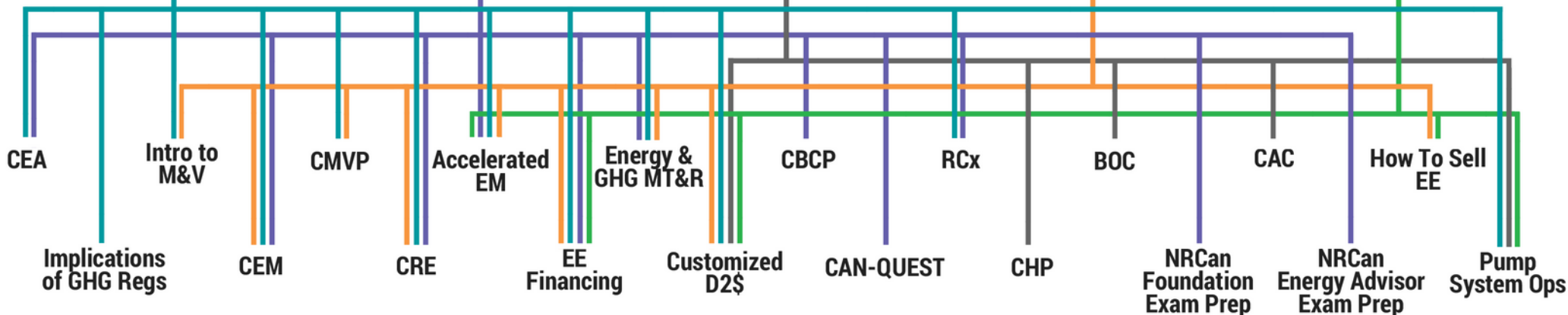
TECHNICAL SERVICES: UTILITIES & PUBLIC SECTOR

Those working for utilities and public sector agencies and institutions are often involved in managing and executing EE projects and reduction incentive programs, often on a regional or municipal basis. Professionals in these sectors often work with a network of stakeholders and customers on energy and GHG reduction policies.



SALES-ORIENTED CAREERS IN ENERGY

Individuals in this sector interact with customers to provide solutions and proposals, including costs and payback options that will reduce energy consumption and operating costs. They play a key role in acting as a resource in educating customers on energy solutions, and providing them with information on energy conservation incentive programs from utilities and public sector agencies.



COURSES & UPCOMING DATES

Accelerated Energy Management - Dollars to \$ense Workshop (D2\$) ● ● ●

Calgary Nov. 6-7

Advanced Course on Building Recommissioning (RCx) ●

Toronto June 18-21 | Edmonton Dec. 4-7 | Calgary Feb.12-15

Building Energy Modelling (CAN-QUEST) ●

Calgary June 5-6

Introduction Course: Edmonton Nov. 13 | Toronto Dec. 4 | Calgary Mar. 12

Advanced Course: Edmonton Nov. 14-15 | Toronto Dec. 5-6 |
Calgary Mar.13-14

Building Operator Certification (BOC) ●

Calgary Nov.6-8

Business Implications of GHG Regulations; Risks & Opportunities For Energy & Carbon Management ●

Toronto Nov. 14

Certified Building Commissioning Professional (CBCP) ●

Toronto Dec. 10-14

Certified Energy Auditor (CEA) ● ●

Calgary Oct. 30-Nov. 2 | Toronto Nov. 13-16 | Edmonton Feb. 19-22

Certified Energy Manager (CEM) ● ● ●

Montréal June 11-15 | Winnipeg June 18-22 | Mississauga Oct. 1-5 |

Montréal Nov. 5-9 | Calgary Nov. 26-30 | Toronto Nov. 26-30 |

Halifax Feb. 11-16 | Regina Feb. 25-Mar. 1 | Edmonton Feb. 25-Mar. 1 |

Toronto Mar. 4-8

Certified Measurement and Verification Professional (CMVP) ● ●

Montréal June 5-7 | Edmonton Oct. 22-24 | Toronto Dec. 4-6 |

Calgary Feb. 5-7

Certified RETScreen Expert (CRE) ● ● ●

Vancouver June 12-14 | Toronto Nov. 20-22 | Calgary Dec. 10-12 |

Calgary Mar. 6-8 | Edmonton Mar. 11-13

Customized Dollars To \$ense Training (D2\$) ● ● ● ● ●

Energy Efficiency Financing: Understanding the Mechanisms & Resources to Fund EE Projects ● ● ● ●

Edmonton Nov. 29

Fundamentals of Compressed Air Systems (CAC) ●

Toronto Nov. 20

GHG Monitoring, Targeting and Reporting (MT&R) ● ● ●

Calgary Nov. 13 | Edmonton Nov. 14

Introduction to Combined Heat and Power (CHP) ●

Toronto June 6

Introduction to Measurement and Verification (M&V) ● ● ●

Edmonton Oct. 22 | Toronto Dec. 4 | Calgary Feb. 5

NRCan's ERS v15 Energy Advisor Exam Prep Course ●

Toronto Nov. 13-16 | Edmonton Nov. 27-30 | Calgary Mar. 19-22

NRCan's Foundation Level Exam Prep Course ●

Toronto Oct. 24-25 | Edmonton Nov.6-7 | Calgary Nov. 20-21

Pump Systems Optimization ● ● ●

Toronto Feb. 12

Selling Energy Efficiency Internally and Externally ●

Calgary Nov. 8



Start your learning path today at cietcanada.com